

1



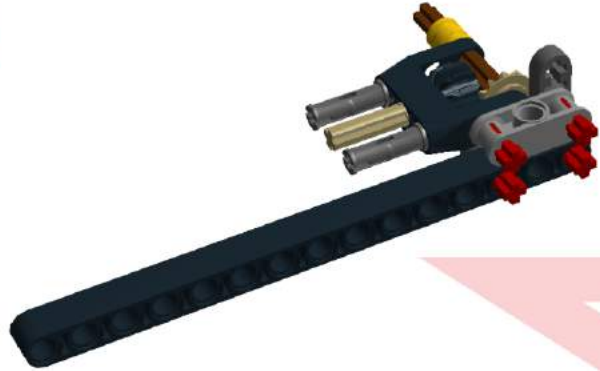
2



3



4



5



6



7



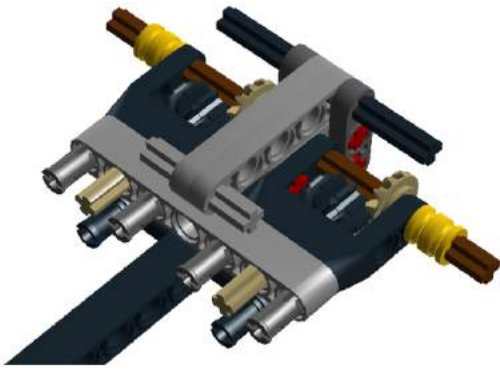
8



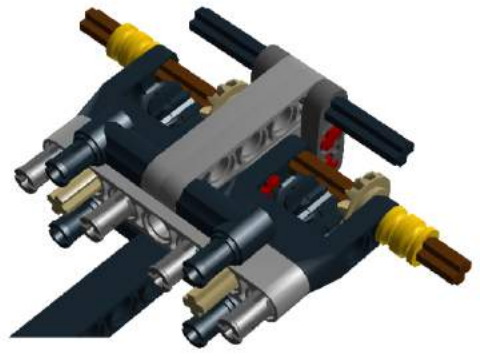
9



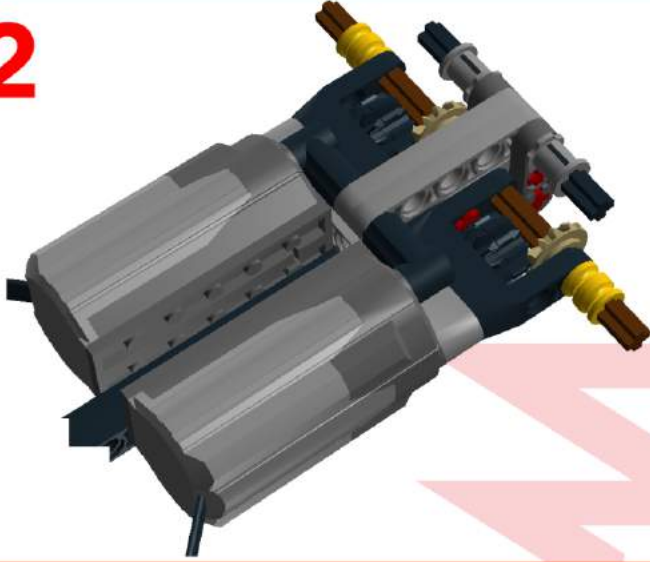
10



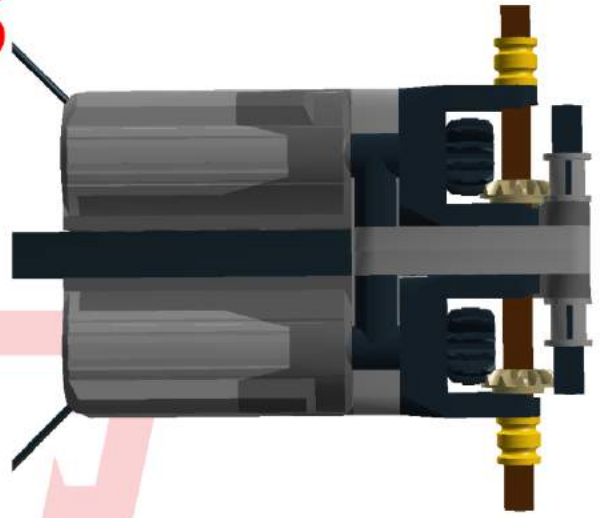
11



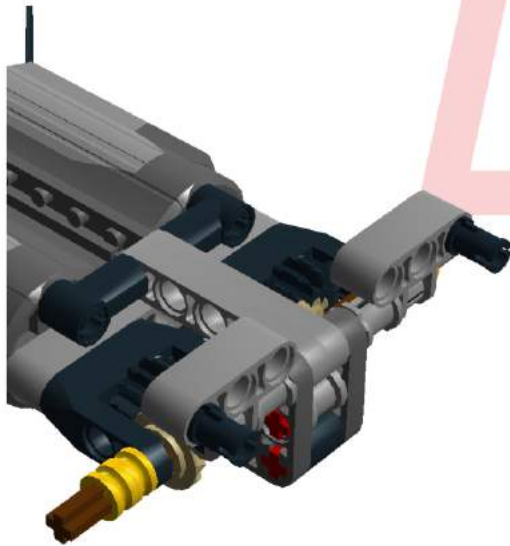
12



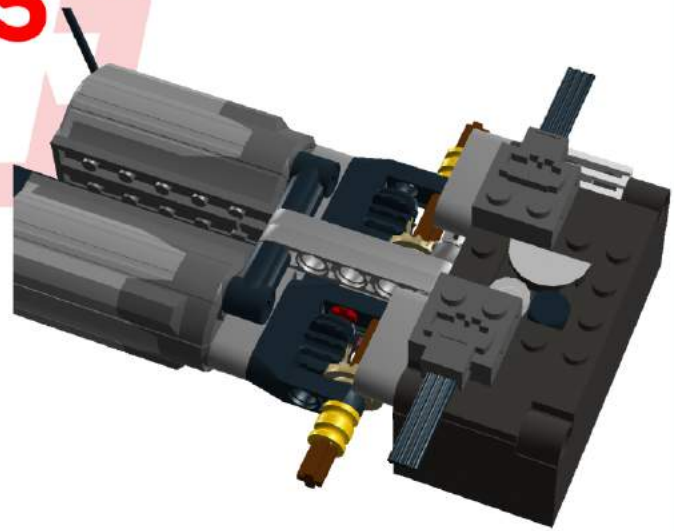
13



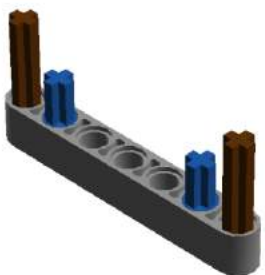
14



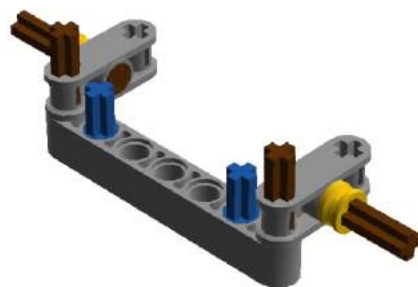
15



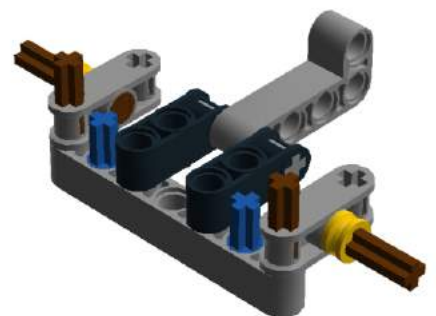
16



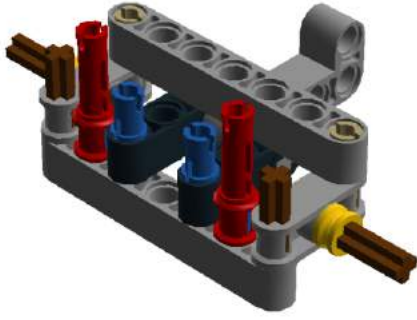
17



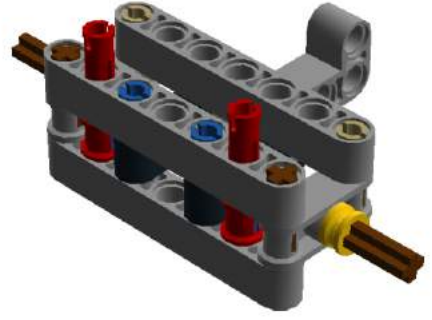
18



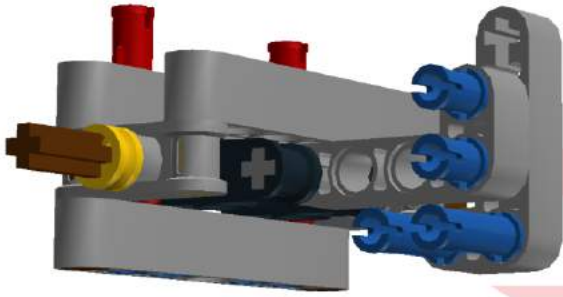
20



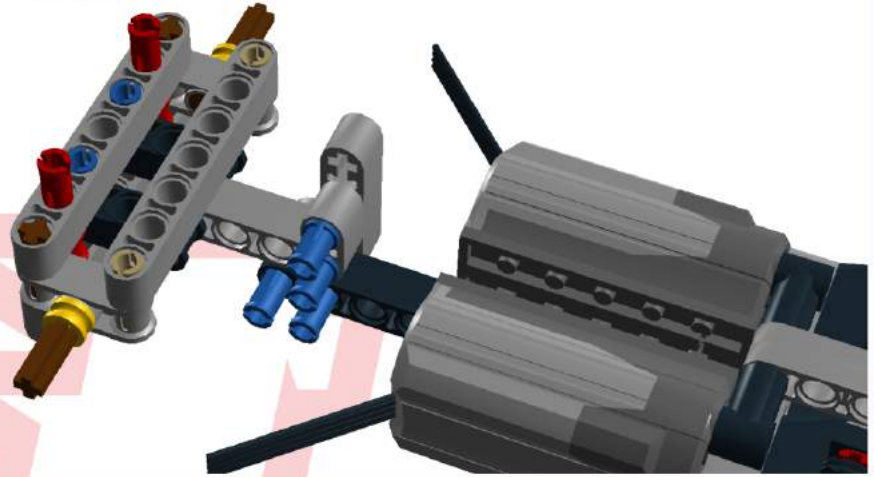
21



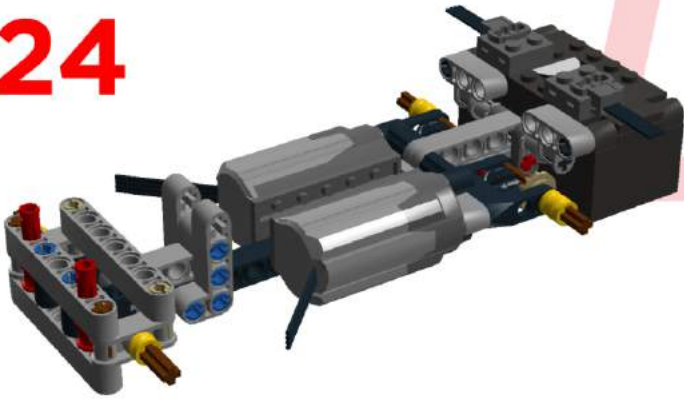
22



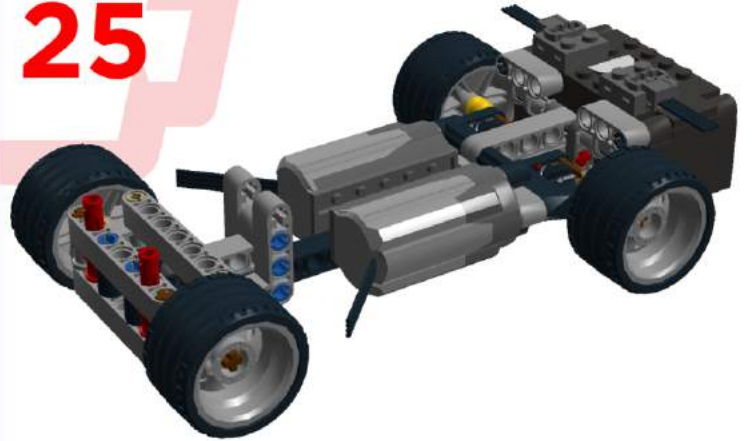
23



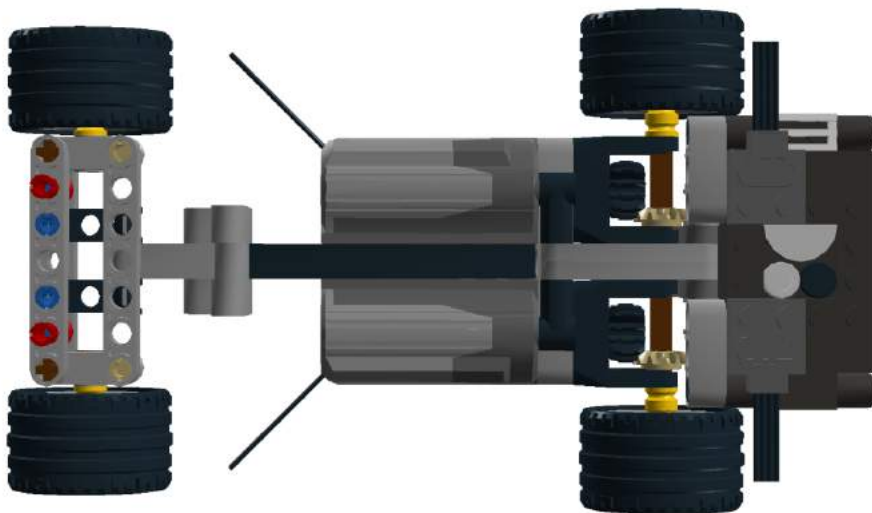
24












25



26



| Name | | Part | Quantity |
|------------------------------|---|-------|----------|
| |  | | |
| RIM WIDE W.CROSS 30x20 | | 56145 | 4 |
| |  | | |
| TYRE LOW WIDE Ø37 X 22 | | 55978 | 4 |
| |  | | |
| FUNC. MOTOR Ø24X6M | | 58120 | 2 |
| |  | | |
| TECHNIC 7M BEAM | | 32524 | 4 |
| |  | | |
| TECHNIC ANG. BEAM 4X2 90 DEG | | 32140 | 3 |
| |  | | |
| TECHNIC 15M BEAM | | 32278 | 1 |
| |  | | |
| LEVER 5M | | 11478 | 2 |
| |  | | |
| TECHNIC LEVER 3X3M, 90° | | 32056 | 2 |
| |  | | |
| 1/2 BUSH | | 32123 | 6 |

| | | | |
|-------------------------------|---|-------|---|
| 2M CROSS AXLE W. GROOVE |  | 32062 | 4 |
| CONNECTOR PEG W. FRICTION |  | 2780 | 6 |
| CROSS AXLE 3M |  | 4519 | 3 |
| CONNECTOR PEG/CROSS AXLE |  | 6562 | 2 |
| BUSH FOR CROSS AXLE |  | 6590 | 2 |
| CONN.BUSH W.FRIC./CROSSALE |  | 43093 | 2 |
| KRYDSAKSEL M/STOP 4M |  | 99008 | 2 |
| CONNECTOR PEG W. FRICTION 3M |  | 6558 | 6 |
| CON. BUSH 2M FR. + CROSS AXLE |  | 11214 | 4 |
| |  | | |

CROSS AXLE 3M W/END STOP

24316 4



ANGLE ELEMENT, 0 DEGREES [1]

32013 4



CROSS AXLE 6M

3706 1



2M FRIC. SNAP W/CROSS HOLE

32054 2



CROSS AXLE 5M WITH END STOP

15462 2



DOUBLE CROSS BLOCK

32184 3



CROSS BLOCK 3M

42003 2



CROSS BLOCK 3X2

63869 2



BEAM 3M Ø4.85 W. FORK

87408 2



CONICAL WHEEL Z12

6589

2



**DOUBLE CONICAL WHEEL
Z12 1M**

32270

2

